



FEED AND BIOFUEL
**PULVERIZING AND
SUPERFINE GRINDING**

SHANGHAI PULVERIZER TYPE SPU

ANDRITZ

ENGINEERED SUCCESS

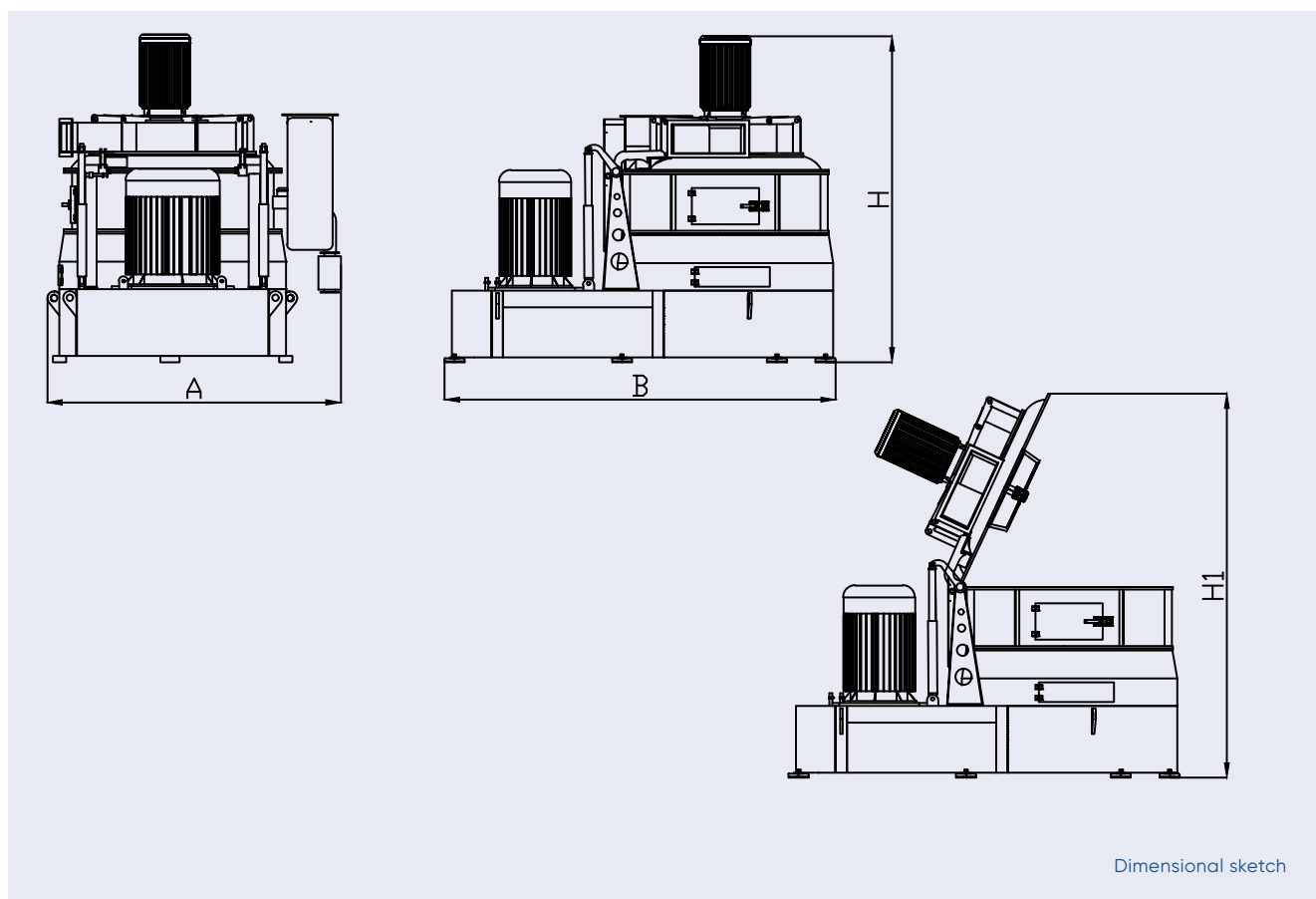
Pulverizing and superfine grinding

ANDRITZ pulverizer type SPU cleverly adopts process methods from similar industries for use in animal feed processing. Hardfaced hammers and grinding rings facilitate grinding while the grader fan drives the grinding profile by evacuating the grinding chamber as particles reach the required size, thereby eliminating the conventional requirements for screens.

The SPU series is an ideal choice for superfine pulverizing, especially for specialty feeds and unique shapes. The system is also highly adaptable given pellet size can be manipulated simply by adjusting the speed of airflow, and feeding and grading blades and concerns over damage to nutritional ingredients is eliminated, as the warming process takes place slowly and precisely.

PRODUCT ADVANTAGES:

- Compact structure
- Stable operation
- Low vibration
- Low energy consumption
- Automatic stepless control



The wear parts for the SPU series are sturdy and durable, thanks to the use of hard, anti-wear materials, such as gear rings and hammers. Maintenance is reduced since the double sealed main bearings provided by SKF or NSK do not require grease. Additional safeguards prevent ferrous impurities and large hard materials from entering the grinding chamber as they are removed automatically by the feed conveyors.

ANDRITZ SPU pulverizer provide many advantages such as compact structure, stable operation, low vibration and low energy consumption.



SPU pulverizer

TECHNICAL SPECIFICATIONS

Model	Main Motor	Feeder Gear motor	Grading motor	Grinding Disc	Hammer	Capacity
	kW	kW	kW	mm	qty (pcs)	t/h
SPU130	132	2.2	15	1300	16	3.0~5.0
SPU150	160	2.2	18.5	1500	20	4.0~7.0
SPU160	200	2.2	18.5	1600	22	6.0~8.0
SPU180	220	2.2	18.5	1800	24	8.0~11.0

DIMENSION SIZE (MM)

Model	A	B	H	H1
SPU130	2165	2977	2826	3134
SPU150	2442	3332	3103	3476
SPU160	2459	3397	3143	3565
SPU180	2942	3923	3336	3852





GLOBAL SUPPLIER – LOCAL PRESENCE

With sales, service, engineering, manufacturing and production sites located all around the world, ANDRITZ Feed and Biofuel is truly a global organization with a local presence. ANDRITZ is vital to ensuring a reliable global supply of aqua feed, animal feed, pet food, and biofuel. With full process lines accounting for half the world's production of aqua feed and biomass alone, we continuously support leading producers in achieving the highest levels in safety, quality, and control from feedstock to final product.

How can we help grow your business?

ANDRITZ Feed and Biofuel A/S

Glentevej 5-7
6705 Esbjerg, Denmark
p: +45 72 160 300
andritz-fb.dk@andritz.com

ANDRITZ (Shanghai) Equipment & Engineering Co., LTD

No.2288, Rongle East Road, Songjiang,
201613, Shanghai, P.R.China
p: +86 21 57745781
andritz-fb.cn@andritz.com

AUSTRALIA

p: +61 3 8773 4888
andritz-fb.au@andritz.com

CHINA

p: +86 21 5774 5781
andritz-fb.cn@andritz.com

INDIA

p: +91 87544 15287
andritz-fb.india@andritz.com

SOUTH AFRICA

p: +27 82 781 0808
andritz-fb.za@andritz.com

BANGLADESH

p: +88 (02) 9844800
andritz-fb.bd@andritz.com

COLOMBIA

p: +57 (1) 744 8200
andritz-fb.co@andritz.com

ITALY

p: +39 (0445) 575 695
andritz-fb.it@andritz.com

TURKEY

p: +90 232 570 38 00
andritz-fb.tr@andritz.com

BRAZIL

p: +55 47 3387 9146
andritz-fb.br@andritz.com

DUBAI

p: +971 4 299 5555
andritz-fb.uae@andritz.com

MEXICO

p: +52 443 323 1530 ext 364
andritz-fb.mx@andritz.com

UK

p: +44 1482 825119
andritz-fb.uk@andritz.com

CANADA

p: +1 519 676 7057
anbosales@andritz.com

FRANCE

p: +33 24 75 06 364
andritz-fb.fr@andritz.com

NETHERLANDS

p: +31 40 2627777
andritz-fb.nl@andritz.com

USA

p: +1 570 546 1253
andritz-fb.us@andritz.com

CHILE

p: +56 2 24624608
andritz-fb.cl@andritz.com

GERMANY

p: +49 2104 9197 0
andritz-fb.de@andritz.com

POLAND

p: +48 60 906 1037
andritz-fb.pl@andritz.com

VIETNAM

p: +84 8 6253 9434
andritz-fb.vi@andritz.com

ANDRITZ.COM/FT



All data, information, statements, photographs and graphic illustrations in this leaflet are without any obligation and raise no liabilities to or form part of any sales contracts of ANDRITZ AG or any affiliates for equipment and/or systems referred to herein. © ANDRITZ AG 2019. All rights reserved. No part of this copyrighted work may be reproduced, modified or distributed in any form or by any means, or stored in any database or retrieval system, without the prior written permission of ANDRITZ AG or its affiliates. Any such unauthorized use for any purpose is a violation of the relevant copyright laws. ANDRITZ AG, Stattegger Strasse 18, 8045 Graz, Austria.



3003 GB